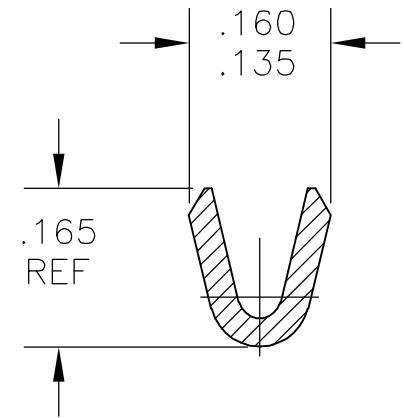
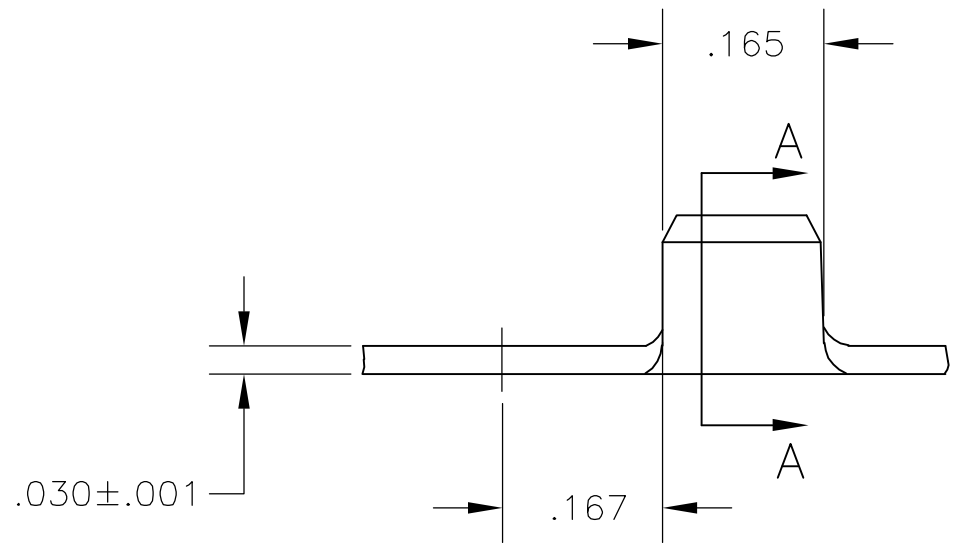
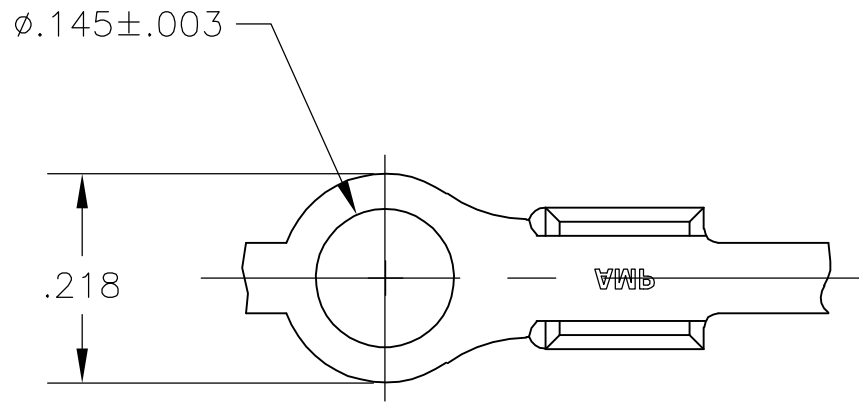


THIS DRAWING IS UNPUBLISHED. RELEASED FOR PUBLICATION
 © COPYRIGHT BY TYCO ELECTRONICS CORPORATION. ALL RIGHTS RESERVED.

LOC	DIST	REVISIONS			
P	LTR	DESCRIPTION	DATE	DWN	APVD
AF	50	A	DRAWN	-	-

- 1 CONTINUOUS STRIP ON REELS
- 2 WIRE SIZE IS #20-#16 AWG



SECTION A-A

40976
PART NO

THIS DRAWING IS A CONTROLLED DOCUMENT.		DWN jr_ruth	10MAR06	tyco Electronics	Tyco Electronics Corporation Harrisburg, PA 17105-3608														
DIMENSIONS: INCHES		CHK D DECKER	10MAR06		NAME TERMINAL, RING														
TOLERANCES UNLESS OTHERWISE SPECIFIED:		APVD D DECKER	10MAR06	PRODUCT SPEC -															
<table border="0"> <tr><td>0 PLC</td><td>± -</td></tr> <tr><td>1 PLC</td><td>± -</td></tr> <tr><td>2 PLC</td><td>± -</td></tr> <tr><td>3 PLC</td><td>± .010</td></tr> <tr><td>4 PLC</td><td>± -</td></tr> <tr><td>ANGLES</td><td>± 5°</td></tr> </table>		0 PLC	± -	1 PLC	± -	2 PLC	± -	3 PLC	± .010	4 PLC	± -	ANGLES	± 5°	APPLICATION SPEC -		SIZE	CAGE CODE	DRAWING NO	RESTRICTED TO
0 PLC	± -																		
1 PLC	± -																		
2 PLC	± -																		
3 PLC	± .010																		
4 PLC	± -																		
ANGLES	± 5°																		
MATERIAL T1 BRASS	FINISH .000080 MIN TIN	WEIGHT -		A3	00779	C-40976	-												
CUSTOMER DRAWING				SCALE	5:1	SHEET	1 OF 1												
						REV	A												